

GAUDI FIT IN

RFID MiFARE®

OMNITEC
adapting to hotels



GAUDI FIT IN
the electronic lock
which adapts



✓ GAUDI FIT IN
outside view

✓ Magnetic
back up lock
cover



✓ GAUDI FIT IN
inside view

✓ Inside electronic
Privacy button

**Our MiFare® Technology, applied to GAUDI FIT IN lock,
is specifically designed for hospitality applications featuring
a wide range of advanced hotel management benefits**

- ✓ Absolute revolution for hotels, offices and Resident Houses integrating all the security needs into one stylish, flexible, reliable and efficient system.
- ✓ Able to be fitted in all kind of doors and with all kind of mortises, in both new installations and to existing ones, including sliding aluminium and wooden doors requiring minimal investment, minimizing carpentry costs of the assembly works.
- ✓ Keeps the back up opening by mechanical key with audit trail function, no matter the kind of mortise installed.
- ✓ For guestrooms privacy and in order to prevent undesired entries, locks are provided with the Electronic Privacy Function, by the button latch that operates from the interior, with leds and acoustic indicators to increase its use by disabled people.

ELECTRONIC LOCKS

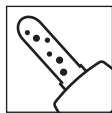
Omnitec's Fit In System applied to GAUDI RFID MiFare® lock has been specifically designed for hospitality and has supposed an absolute revolution for hotels, offices and Resident Houses

opening systems



✓ RFID MiFare

emergency opening



✓ MECHANICAL KEY

fire rated

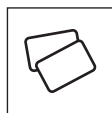


✓ For certified EI-30 doors according to European Standard
UNE-EN-1634-1: 2008

access management



✓ by SOFTWARE



✓ by SIMPLEX

-**RFID MiFare®** (13,56 Mhz.)

-**Easy installation**, stand alone lock without wiring.

-Operated by **4 AA batteries**.

-**Audit trail function** up to **435 openings** by any keycard and emergency key, provided with E-PROM "non-volatile" memory keeping them up to 10 years, even in case of battery failure or replacements.

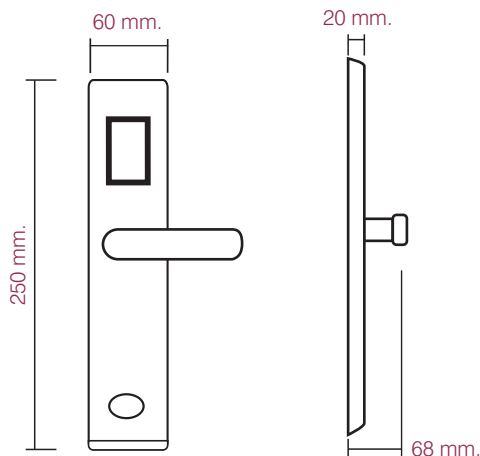
-Automatic **low battery reporting** to hotel staff

-**Passage mode** activation for meeting rooms

-Made in anti-corrosion **Stainless steel** AISI 304, 500 hours salt fog tested, and available in natural or golden colour finishing

-**Damp-proof** PCB for all weather use

-**Fire rated** for certified EI-30 doors, complying the current standard UNE-EN-1634-1: 2008



available finishings:



STAINLESS
STEEL
NATURAL
AISI 304



STAINLESS
STEEL
GOLDEN
AISI 304

