

GAUDI

■ RFID MiFARE®

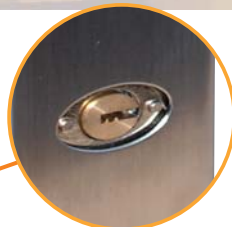
OMNITec
adapting to hotels



Omnitec offers a range of access control and locking systems using standards-based RFID MiFare® adding value and differentiation to obsolete and unreliable technologies based on card insertion.



✓ GAUDI outside view



✓ Magnetic back up lock cover



✓ GAUDI inside view

* FREE TURN Function



- ✓ Designed for Hotels, Offices and Resident Houses integrating all the security needs into one stylish, reliable and efficient system.
- ✓ Mortise lock with anti-panic function, anti-threat devices and a detector for not properly closed doors to prevent undesired entries
- ✓ Back up opening by mechanical key with audit trail function
- ✓ **FREE TURN lock function** * on GAUDI lock, allows pulling down the handle freely without opening the lock. Only after pass MIFARE proximity card over the reader, an existing internal gear on lock will allow to pull down and open at the same time.
This option offers extra security to OMNITEC electronic locks as in case of handle is over forced pulling it down, it will broke without unlocking the lock. Is a very good option for outdoor locks, for university / college residences, etc.

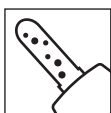
RFID MiFARE® opening technology together with a neat aesthetic consolidate in a lock made in high quality materials which is designed to satisfy the decorative needs of any living space.

opening systems



✓ RFID MiFare

emergency opening



✓ MECHANICAL KEY

fire rated

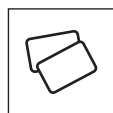


✓ For certified EI-30 doors according to European Standard
UNE-EN-1634-1: 2008

access management



✓ by SOFTWARE



✓ by SIMPLEX

-RFID MiFare® (13,56 Mhz.)

-**Easy installation**, stand alone lock without wiring.

-Operated by **4 AA batteries**.

-**Audit trail function** up to **435 openings** by any keycard and emergency key, provided with E-PROM "non-volatile" memory keeping them up to 10 years, even in case of battery failure or replacements.

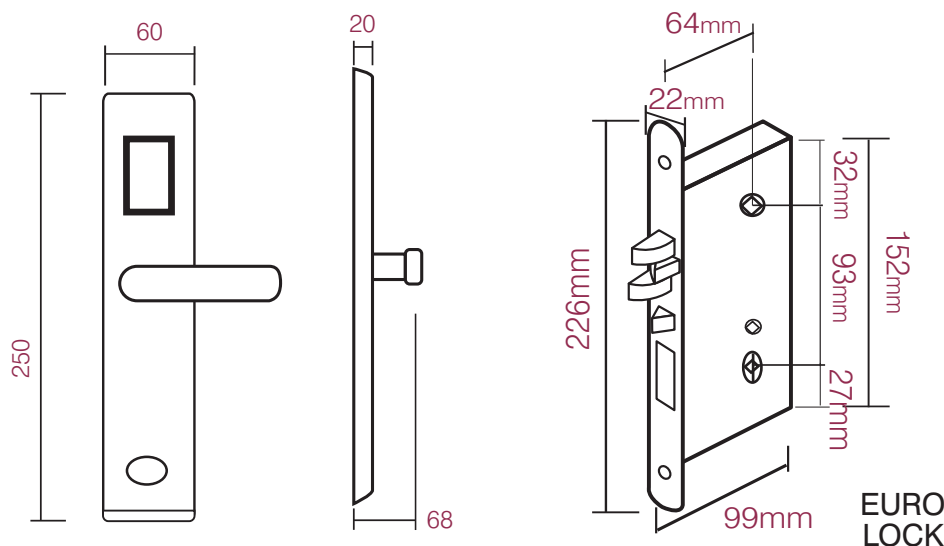
-Automatic **low battery reporting** to hotel staff

-**Passage mode** activation for meeting rooms

-Made in anti-corrosion **Stainless steel AISI 304**, 500 hours salt fog tested, and available in natural or golden colour finishing

-**Damp-proof** PCB for all weather use

-**Fire rated** for certified EI-30 doors, complying the current standard UNE-EN-1634-1: 2008



available finishings:

STAINLESS STEEL NATURAL AISI 304



STAINLESS STEEL GOLDEN AISI 304

